



ATRAK-DESKTENDER[®]

Digital ATC Desktop Extender



Ifield Computer Consultancy Limited (ICC), a LAIC group company have been system developers and service providers to the Air Traffic Control industry for over 20 years with technical specialists based in the UK and Europe.

ICC has developed a number of key ATC solutions, front end systems for Executive, Planning Control, Information Management, and Radar Fallback and back-office solutions for accounts, human resources and billing and statistics.

ICC's new generation **Deskender[®]** solution enables you to **centralise and secure** your ATC systems up to 1000 metres* from the ATC work position, whilst maintaining full functionality.

The expandable Deskender supports USB, PS/2 and most multimedia devices, ideal for environments requiring full functionality at the ATC work position.

The Deskender units are located at the controllers work position and remote central location. Fibre connection maintains the critical one-to-one relationship between the controller and their assigned system.

The controller's keyboard, monitor and mouse are plugged into the Deskender that also supports USB and audio connectivity. The Deskender provides video quality superior to any other extension product on the market.

The ATRAK-Deskender delivers a number of key benefits including: -

Return on Investment

- Eliminates most system maintenance and downtime.

Centralises Administration

- Co-locate systems to one location for easier repairs, maintenance, upgrades and administration. Easily switch users from a non-functioning system to a functioning spare within minutes

Asset Security

- Secures all system assets in a centralised environment.

Multi-monitor support

- Full digital video capability.

End-User Flexibility

- Full peripheral and multimedia support



ATRAK

ICC's information display processing suite of ATC/ATM applications - delivering quality solutions as an integral part of air traffic control and management.

Technical Specification

Overview

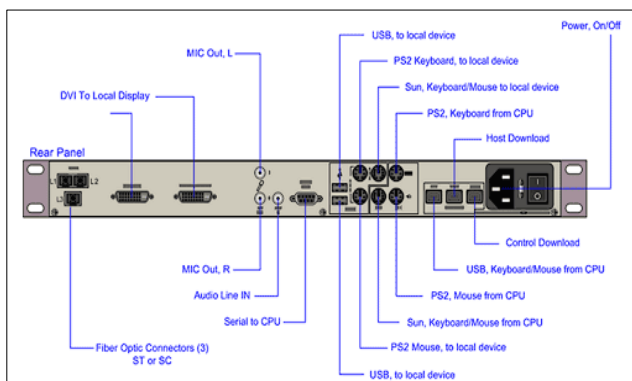
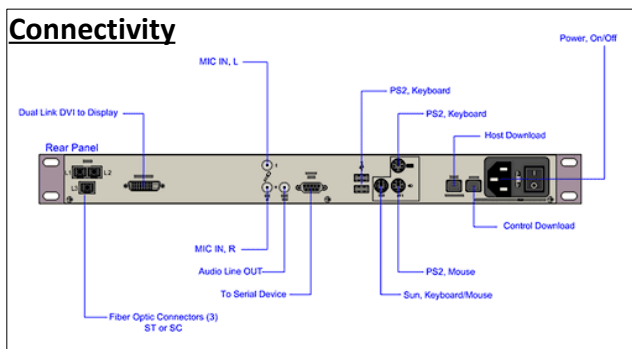
The new generation of ATRAK DESKTENDER extension system is designed for the highest performance display devices on the market and particularly the extreme demands of the ATC market. There is support for USB, keyboard/mouse and serial (RS232) as well as full duplex stereo audio. All signals are digitized and transmitted over three fibres, then transparently restored by the receiver. The DESKTENDER Dual-Link DVI extender has a convenient front panel display for determining system link status. All connections are standard so no special cabling is required.

The DESKTENDER Dual-Link DVI Extender does not alter the resolution of the source video. Any resolution that can be transmitted via dual-link will be supported. Three fibres is the most fibre-efficient way of transporting the dual-link DVI KVM signals as well as all the supporting desktop devices, such as keyboard, mouse, serial, full-duplex audio, and stereo graphics emitter.

The system allocates 2 fibres to the dual-link DVI signals and 1 fibre to everything else. The DESKTENDER Dual-Link DVI fibre optic extension system is fully compatible with the ICC DCS fibre-in / fibre-out digital cross-point switches. The DESKTENDER fibre optic extender is a feature rich product designed to extend dual-link DVI video and KMAS signals. The video source must be single or dual-link DVI. The DESKTENDER system will support USB, PS2, and Sun (legacy) keyboard and mouse, USB tablets, full duplex stereo audio, and serial. The DESKTENDER transmitter has connections for a local single link DVI display and keyboard/mouse.

The DESKTENDER extender is a digital fibre optic transmitter/receiver system. All video, keyboard, mouse, USB, audio and serial signals from the computer source are digitized and converted to light at the transmitter. These optical signals are then sent to the DESKTENDER fibre optic receiver via two fibres. Two fibres support the dual-link DVI video signals and the other supports all other signals.

Connectivity



Main Features

- Supports one Dual-Link DVI signal
- MRTS technology 6.25Gbps allows for full frame rate transmission of uncompressed DVI
- Supports USB HID, USB 1.1 and USB 2.0 devices
- Local KVM connections on the transmitter
- DDC2B/EDID compliant
- Flawless image quality with no frame dropping
- Requires one, two or three fibre optic cables depending on application
- Extends signals up to: - 750 meters using SX+ multi-mode fibre - 1000 meters using eSX+ multi-mode fibre - 10 kilometres using single-mode fibre
- Two video outputs on the receiver
- Full keyboard and mouse emulation through the transmitter, full duplex stereo audio, serial RS-232
- Simple plug and play

Specifications

Video Resolution:	Dual-Link DVI
Operating Temp.:	0°-50°C; (32°-122°F)
Humidity:	5-95% RH, non-condensing
Dimensions Rack Size:	EIA 19"
Height:	1U-1.72" (4.40 cm)
Depth:	18.02" (45.8 cm)
Width:	17.49" (44.5 cm)
(Tolerance:	± .039"; .100cm)
Weights:	Weight: 11 lbs (4.99 kg) per unit Shipping Weight: 27 lbs (12.25 kg) pair
Power Consumption:	40 watts per unit
Supply Voltage	100-240 VAC, 47-63 Hz, Universal AC Power Supply
Optical Cable	Single-Mode and Multi-Mode over Three Fibres, Not Supplied
Optical Distance	Up to 1000 meters using 50/125um, type OM3 enhanced Up to 10 kilometres using 9/125um, type OS2 (Single-Mode)
Compliance	Approvals for US, Canada, and European Union
Warranty	12 months from date of shipment - Extended warranties available

ICC have been delivering safe, reliable, mission critical ATC solutions and services for over 20 years. For more information please contact us.



Ifield Computer Consultancy Limited

7 Halsford Park Road, East Grinstead, West Sussex
RH19 1PW, United Kingdom
Tel: +44 (0) 1342 321873 Fax: +44 (0) 1342 316182
Email: enquiries@icc-atcsolutions.com



www.icc-atcsolutions.com